



Porteros Telefónicos

Surix Security Phone Amplificado: User, installation and programming Guide

Made in Argentina

**This manual is archival and may be discontinued.
To contact us, use the updated information on this page**



ISRAEL
Tel: +972 538 262 492

ARGENTINA
Tel: +54 11 5272 9500 · Chile 111 esq. Méjico
Vicente López · Buenos Aires · B1603CMC

MÉXICO
Tel: +52 477 239 5261

URUGUAY
Tel: +598 99 200 210



esurix

• **Relay activation through SMTF dialing command (from an on-call phone)**

Command name	Command	Observations
Manual mode (command to open/command to close)	* 28 1	* 0: Activates the relay * 8: Deactivates the relay
Temporal mode (command to open/ timeout to close)	* 1 * #	* 0: Activates the relay timeout: deactivates FDPV relay
Time programming temporal mode	* 20 Relay time	Relay time: 0: 0.5 segs 1: 1.0 segs 2: 1.5 segs ... 6: 3.5 segs FDPV ... 9: 5.0 segs

• **Reset default configurations**

Name of the comand	Command
Reset default configurations	* 91

• **Detección de tono ocupado**

Nombre del comando	Comando	Observaciones
Simetría de la detección de tono de ocupado Perfecto 0123456012345601234560123 456 + +-----+ +-----+ Toff Ton +-----+ +-----+ +--- No perfecto + +---+ +---+ Toff Ton +-----+ +----- ---+ +---	* 34 Sim%	Sim%: 0: 1% Toff=50% Ton=50% 1: 2% 2: 3% ... 9: 10% FDPV 0: 1% es perfecto o casi perfecto 9: 10% tolerancia máxima. Generalmente, por regla, el ciclo de tono es 50%, pero puede alterarse al haber delay en la detección de este.
Cadencia mínima	* 35 m	m = 2 FDPV
Cadencia máxima	* 36 M	M = 6 FDPV
Llame a alguien, dígame que cuelgue. Escuchando el tono de ocupado (tut.. tut.. tut..), cuente los tonos que escuche en 5 segundos. Divida ese número A por 2. Programe $m = A/2 - 1$ y $M = A/2 + 1$. Para un mayor rango: $m = A/2 - 2$ y $M = A/2 + 2$ <u>Ejemplo:</u> Si Ud escucha 9 tonos, $9/2 = 4,5$. Programe $m = 3$ y $M = 6$. Si tiene finalizaciones de llamadas falsas, aumente m y/o disminuya M.		

• **Activación de relay mediante marcación de clave (en frente con teclado telefónico)**

Nombre del comando	Comando	Observaciones
Clave para activar relay	* 1 * CCC #	CCC: clave de 1 a 10 dígitos
Activación de relay sin marcar clave	* 1 * #	FDPV

Call destination: front with telephone keypad

Name of the command	Command	Observations
Phonebook on key	* 1 X YYY #	X: Key on keypad (0 to 9) YYY: Number of up to 10 digits (See digits table).
Delete phonebook (for free dialing)	* 1 X #	X: Key on keypad (0 to 9)

Example: The Security Phone is connected to a PBX extension and requires that when the user presses button 1, the Security Phone calls the emergency number, 911. Program:

- o * **9 0** to enter the programming mode
- o * **4 0 9 * 0 9 1 1 #**, where:
 - * **4 0** to program button #1
 - **9** is the PBX command for the PSTN line
 - * **0** is a pause to wait for the PSTN dialing tone
 - **9 1 1** is the emergency number
 - **#** exits the programming command

• Receiving calls

Name of the command	Command	Observations
Time to answer	* 31 Time to answer	Time to answer: 0: 0 segs FDPV 1: 5 segs 2: 10 segs ... 9: 45 segs

• Ending calls

Name of the command	Command	Observations
Maximum call time (duration of the communication)	* 25 Call time	Call time: 0: 1 minute FDPV 1: 2 minutes 2: 3 minutes ... 9: 10 minutes

Tone detection

When the Security Phone has to detect the busy tone for hanging up, it is important that the functions of the busy tone (symmetry and cadence) are programmed to coincide with the PBX or PSTN tone.

Normally, the tone level and frequency are not a problem for its detection (sensitivity and wide range of -38 db, from 315 a 640 Hz) but the duty cycle symmetry and cadence are important variables.

NOTE: If the tone detection range is wide, it may happen that some voices are mistaken as a busy tone and the Security Phone prematurely ends the call.

Programming

- Call the Security Phone from other phone and wait for it to answer the call.
- Dial *90 (asterisk+nine+zero) y verify the Security Phone makes two acceptance tones. If you do not hear the tones, it may be necessary to readjust the audio or decrease the in/out volume.

Programming Commands

Realizar llamas

Name of the command	Command	Observations
Dialing by tones	* 26 0	FDPV
Dialing with no tone detection	* 24 1	FDPV
Dialing with tone detection	* 24 1	
Audio on during dialing	* 33 0	FDPV
Audio off during dialing	* 33 1	

Destino de llamas: frente con 1 o 2 pulsadores

Name of the command	Command	Observations
Phonebook on button #1	* 4 0 YYY #	YYY: Number of up to 10 digits (See digits table)
Phonebook on button #2	* 4 1 YYY #	

Mini-jumper position

There are some mini-jumpers for special configurations (not detailed here).
Mantenga la posición predeterminada de acuerdo con la tabla:

Jumper	Position
JP 3	O O=O
JP 4	O O=O

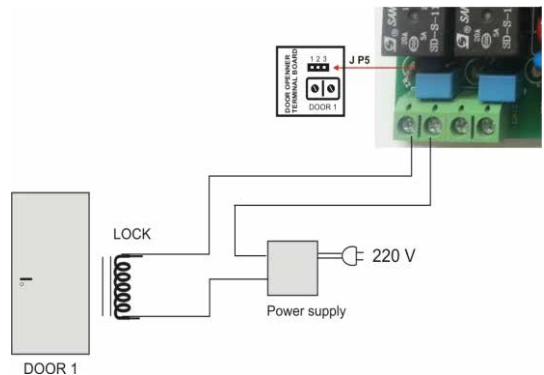
Jumper	Position	Door 1 relay
JP 5	O O=O	Normally open
	O O=O	Normally closed

Telephone or line extension wires

Connect the line (or PBX interface extension), to the LINE board terminal.

Electrical lock installation

- Make sure you have the right lock and JP 5 set
- Connect a lock wire to a connector terminal: DOOR 1
- Connect the other wire to the power supply.
- Close the circuit between the supply and the connector terminal: DOOR 1.



Adjustment

- Low the microphone volume to the minimum using the MIC preset.
- Make a call.
- Speak normally and adjust the speaker volume using the SPK preset (increase the level in anti clockwise).
- Now, adjust the microphone volume using the MIC preset (increase the level in clockwise).



Door opening (relay activation):

There are 2 ways of relay activation:

- **Temporized relay**
The operator dials *0 to activate the relay during a period of time (See Programming). After that time, the relay is automatically deactivated.
- **Manual relay**
The remote operator dials *0 to activate the relay.
The remote operator dials *8 to deactivate the relay.
NOTE: This mode requires external supply.

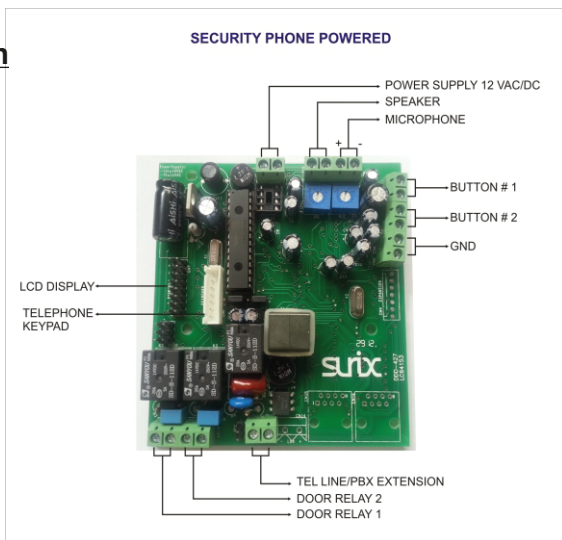
Installation

Safety instructions:

- Read carefully all the instructions.
- Do not use this product near any heat or humidity direct sources.
- Do not insert objects in the product's gabinet.
- Do not try to repair it (contact the authorized technical support).
- Do not install this product or touch its connection points during an electrical storm.

Connection and configuration points.

Identify the connection and configuration points in the figure:



Connectors' names and meanings

Connector's name	Meaning	Connector's name	Meaning
DOOR 1	Door 1 relay	PULS 1	Button #1
DOOR 2	Door 2 relay	PULS 2	Button #2
LINE	Telephone line or PBX extension	MIC	Microphone
GND	Ground	SPK	Speaker
KEYPAD	Telephone keypad	VIN	12 vac/dc power supply

Open doors command for Access Control:

The user dials * (asterisk) followed by a 4 digit password. The Security Phone will activate the relay during the programmed time.

Operatoria

Making calls:

NOTE: You can enable the Security Phone to dial a telephone number only if the dialing tone is detected (See Programming).

Making one-touch calls:

- Press a button (or key in telephone keypad).
- The Security Phone will automatically pick up and dial the programmed number for that button.
- Speak normally.

Making calls dialing destination number:

(only with telephone keypad panel)

NOTE: This mode is automatic when there are no numbers associated with the keys.

- Dial the keys of the number you want to call.
- The Security Phone will automatically pick up the phone and dial the number you are dialing.
- Continue dialing until the number is complete.
- Speak normally.

Receiving calls:

The Security Phone can operate in 2 different ways:

- **Automatic answering**
It automatically answers when it receives an incoming call (default programming).
- **Manual Answering**
The Security Phone waits until the user presses the # key. Meanwhile, it will ring through the ringer.
NOTE 1: A 12 vdc ringer connected to its terminal is needed.
NOTE 2: Check if your firmware version supports this feature.

Ending calls:

The Security Phone ends the call for 4 reasons:

- The user presses the * (asterisk) key.
- The remote interlocutor presses the # key.
- Time out: the maximum communication time expires (See Programming).
- The PBX is deleted (part B hangs out). Busy tone is detected (See Programming).



Introduction

Welcome to the SURiX door phone products users' network!

The product you have purchased has the most modern technology and varied applications:

- Emergency phone
- Exposed phone (with no risk of theft)
- Electronic door phone for PBX
- Intercom for elevators and other areas that need communication
- Intercom for industrial plants
- Hospital rooms communicator

This product is part of a range of SURiX communication systems for homes, offices, and multifamily systems for buildings and gated communities.

ATTENTION: Read carefully this guide before installing and using the product to make sure you obtain the most profit of it.

Keep this guide in a safe place for future consults.

SURiX thanks you for your purchase and invites you to contact us for any consult, worries, or suggestions as regards our products.

General Description

Intelligent hands-free:

The SURiX Security Phone is an intelligent hands-free phone that is connected to a telephone or a PBX phone extension. In most cases, it does not require external supply.

2 dry contact relays:

It has two contact relays to open doors and other applications (turn on/off, lights, heating, etc.).

Buttons and/or numeric keypad:

It is connected to a panel with 1 to 2 individual buttons and/or numeric keypad, depending on the model.

This buttons are used as the ones in a phone memory or telephone keyboard.

Program dialing:

The programmed numbers are dialed when the buttons 1-2 or the keypad are pressed.

Free dialing:

In the model with the keypad, the numbers can be free dialed. The user dials the telephone number as in any other phone (with no headphones, speaker, or hands-free).

Security Phone - Amplificado

Introduction	1
General Description	1
Operatoria	2
Installation	3
Connection and configuration points	3
Mini-jumper position	4
Electrical lock installation	4
Adjustment	5
Tone detection	5
Programming	5
Comandos de programación	5



ISRAEL
Tel: +972 538 262 492

ARGENTINA
Tel: +54 11 5272 9500 · Chile 111 esq. Méjico
Vicente López · Buenos Aires · B1603CMC

MÉXICO
Tel: +52 477 239 5261

URUGUAY
Tel: +598 99 200 210

